

www.theshadesailshop.com.au

0401844741

customquotes@theoutdoorshop.com.au

Shipped Worldwide



SHADECUBE™



MODULAR SHADE SYSTEM



ASSEMBLY INSTRUCTIONS

Please read this guide before starting any work. It is the responsibility of purchaser to ensure all work is carried out by a qualified installer in accordance with current local government bylaws.

Ubuild Modular Pergolas takes no responsibility for any installation work undertaken by the purchaser

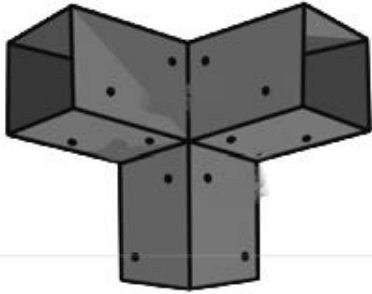
IMPORTANT – CAUTION

- Wear personal protective equipment (PPE), including eye protection.
- It is the responsibility of the end user to meet all local building codes and permit requirements.
- UMP or its distributors/agents, shall not be held liable for improper or unsafe installations, performed by the end user. CUBEJOIN bases must always be used to secure SHADECUBE.
 - **Base fixing is not included. We recommend base fixing to a minimum 150mm thickness, min 70mm edge distance, certified concrete slab with min 25 MPa compressive strength, using M10 X 130 Dynabolts or the like. All anchors to be used with Chemset 810+**
 - **Timber Deck Deck structure requires a min 1.7KNm bending each way below the Base Plate & 6.5kN min pull-up capacity for fixing. You must have the foundation and fixings certified by an engineer.**
- Do not leave fully assembled structure unattended without posts fixed to the ground.
- Do not assemble or install your structure during bad weather, including rain, lightning, high winds or adverse weather or heavy rainfall.
- Remove or retract and secure your RETRACTAROOOF roof during high winds or bad weather.
- Only competent persons shall perform the installation of SHADECUBE. If in doubt, please, please seek the advise from qualified building sources.

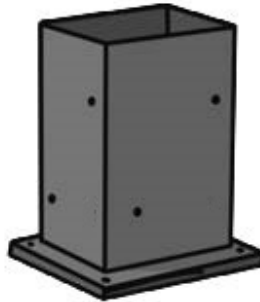
NOTES

www.theshadesailshop.com.au
0401844741
customquotes@theoutdoorshop.com.au
Shipped Worldwide

PARTS



CUBEJOINS



BASE

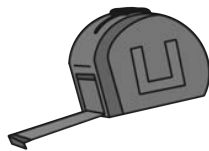


FASTENER

SUGGESTED TOOLS



DRILL



TAPE MEASURE

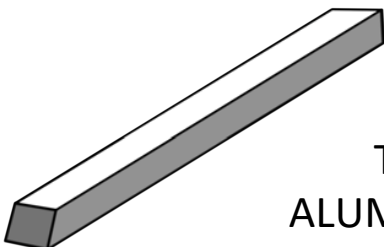


LEVEL



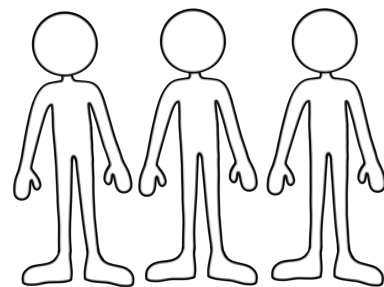
LADDERS X 2

RECOMMENDATIONS



TIMBER OR ALUMINIUM BEAMS

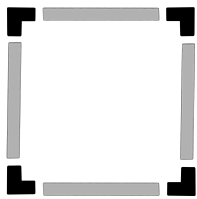
Aluminium beams & posts come with an insert shim to allow for removal if required without damage to the coated surface



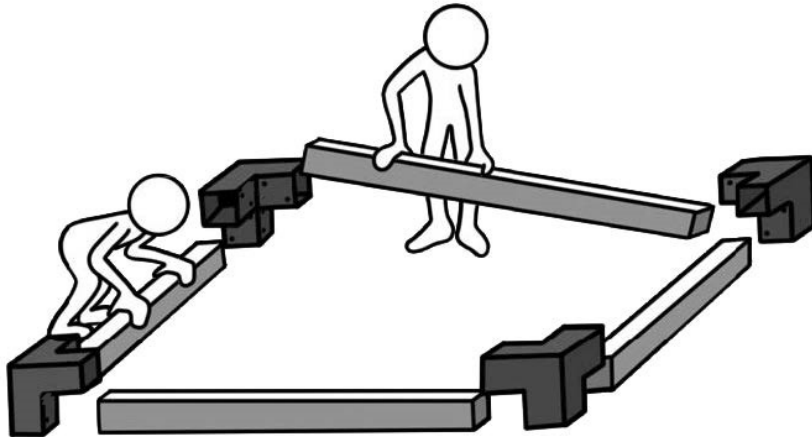
3 ADULTS FOR ASSEMBLY

STEP 1 LAY OUT THE PARTS FOR THE TOP

- 4 Beams + 4 Duo's, laid out in a square shape.
- Place parts on a ground sheet to protect all surfaces.

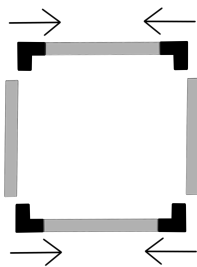


Top View

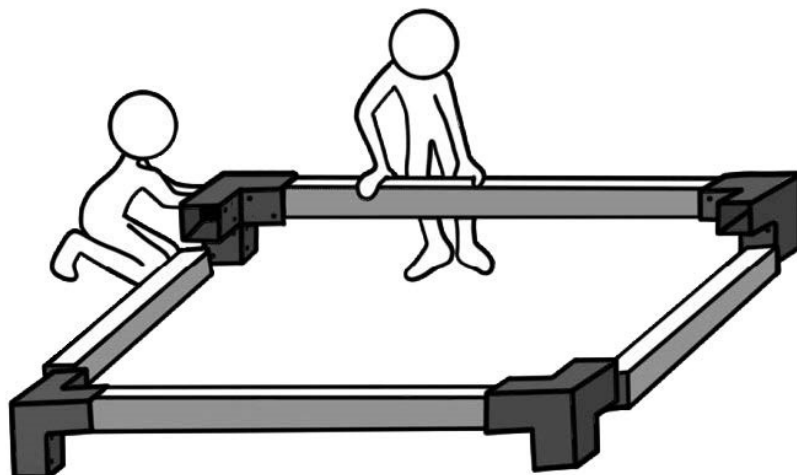


STEP 2 CREATE TWO 'C' SHAPE ENDS

- Selecting 2 parallel beams, slide the Duo's on both ends of each post with insert shims. Do not use screw fasteners yet.

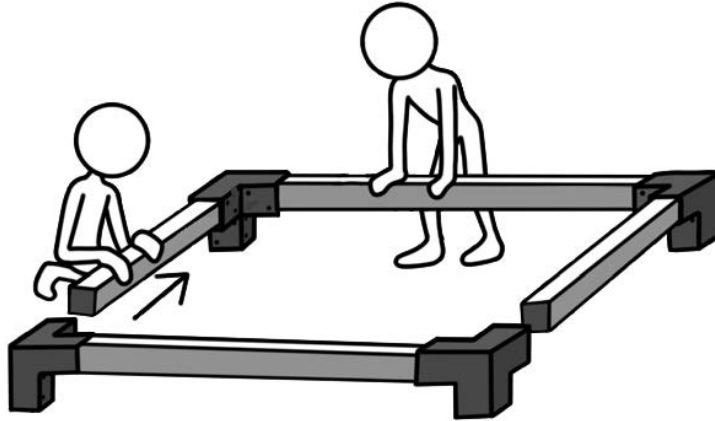
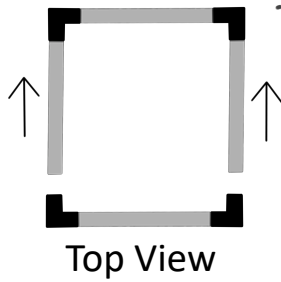


Top View



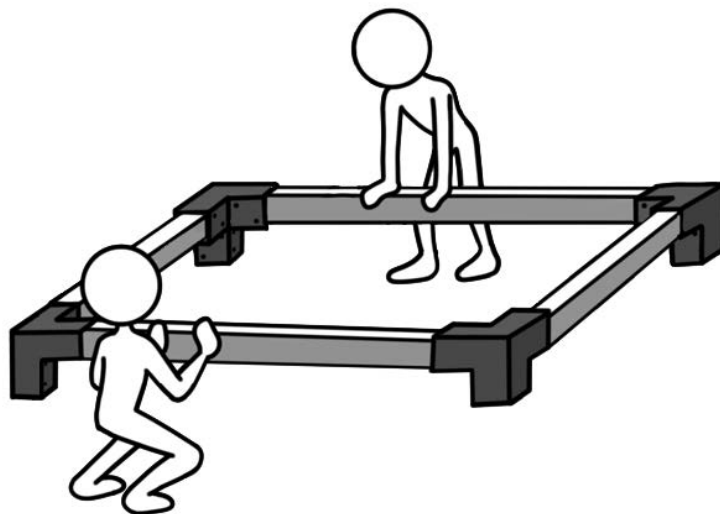
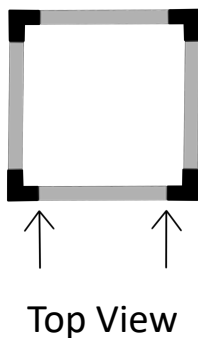
STEP 3 CREATE LARGE 'U' SHAPE

- Insert remaining 2 beams with shims, into each side of the 'C' end.
- Do not use screw fasteners yet.



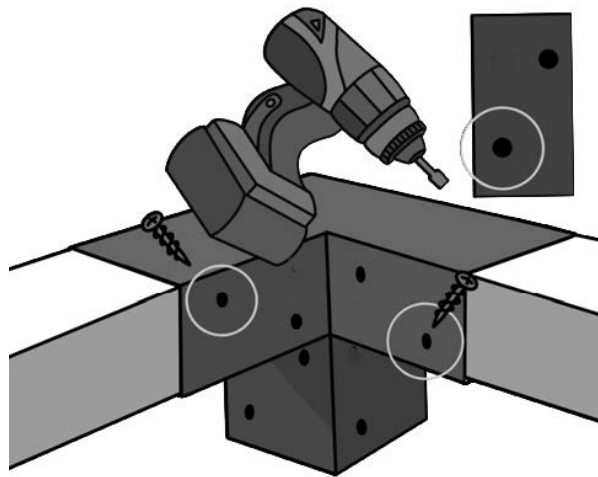
STEP 4 ATTACH 'C' END TO COMPLETE SQUARE

- Raise beams off ground and slide Duo's with shims, on to post.
- Do not use screw fasteners yet.



STEP 5 INSERT 2 SCREWS IN EACH CORNER

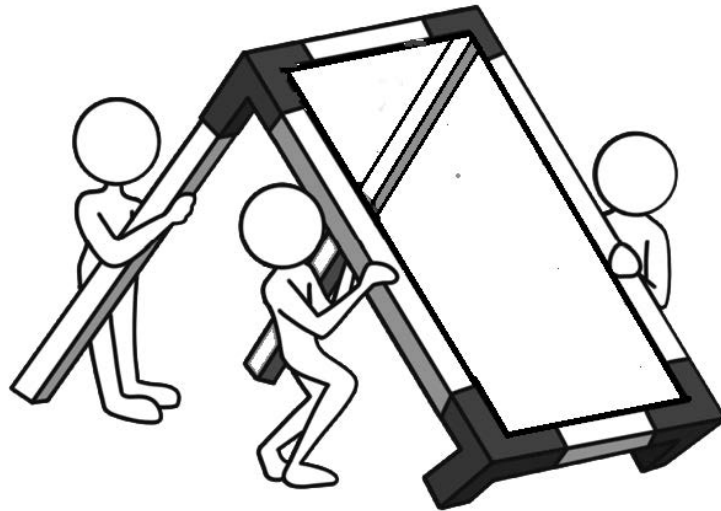
- Ensure parallel, opposite sides are equal length.
- Insert 2 screws into the outer single holes using an electric driver and the provided bit. Repeat on all 4 corners of the pergola. (pre-drill Aluminium CUBE BEAMS & CUBEPOST outer wall only with a 4mm hole before inserting screws). **Do not pre-drill the timber insert!**



Before moving on to the next step; Please make sure you have adequate workspace around you. Keep all people, other than the installers lifting the structure, away.

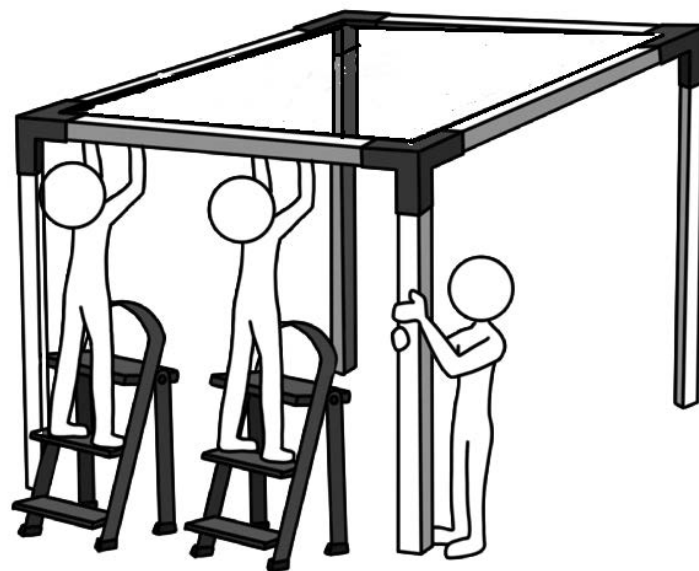
STEP 6 INSERT 2 UPRIGHT POSTS

- Have 2 or more adults tilt up one side of the pergola top, while a 3rd adult inserts 2 posts with shims.
- Attach one top screw in each post. Do not tighten.
- **Post top is marked with a "T".**



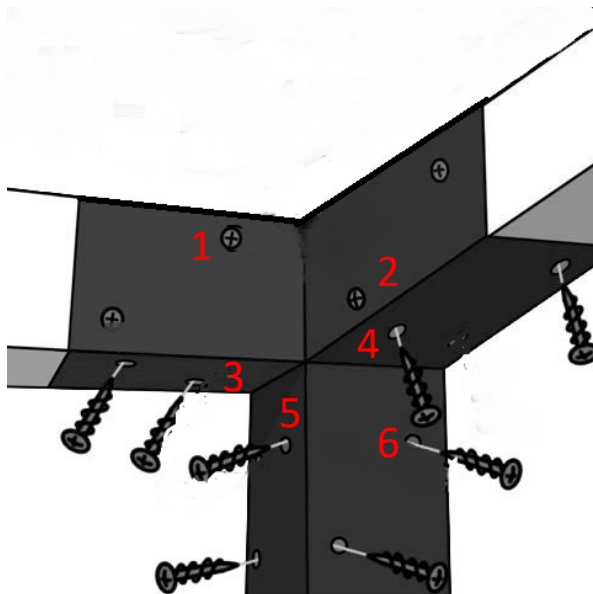
STEP 7 RAISE PERGOLA WITH 4 LEGS

- Have two adults on ladders; lift the pergola top. Insert remaining posts when angle permits.



STEP 8 INSERT ALL TOP SCREWS

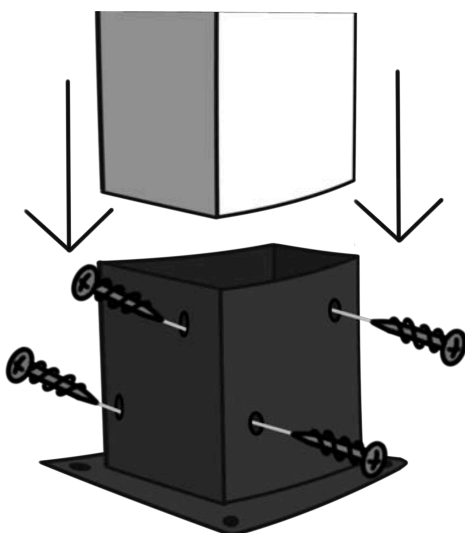
- Using a ladder to access the underside of the pergola top, insert screws in inner holes first, (numbered), including both horizontal beam arms and upright posts. This will "Square the post". Insert remaining screws and tighten in all 4 posts.



STEP 9 SLIDE BASE ON EACH POST BOTTOM

- Have two adults lift each leg while one adult slides a Base under the post. Slowly drop posts into Bases with insert shim.
- Attach screws.

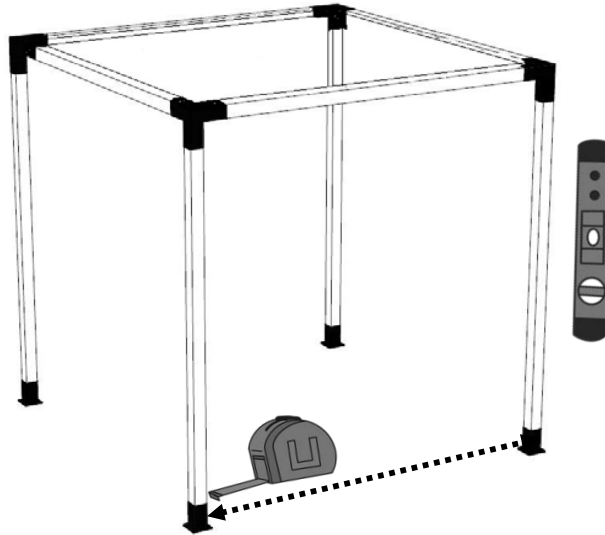
NB: Post End
Marked "B"
Inserts In To
Base



STEP 10 SQUARE AND LEVEL THE BASE

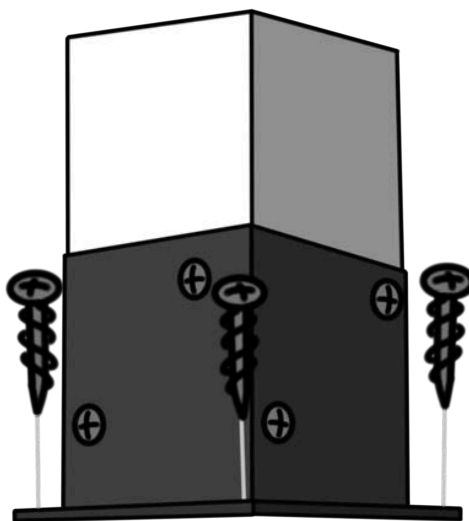
- Measure and align all posts.
- Plumb all upright posts.

**Make Sure All
Cubebeams &
Cubeposts
Are seated all
the way into
The Cubejoins**



STEP 11 ATTACH POST BASES TO GROUND

- Affix post base to a suitable substrate per local building codes.
- FASTENERS NOT INCLUDED FOR ANCHORING



NOTICE

EQUIPOTENTIAL BONDING COMPLIANCE OBLIGATION

Shadecube Pergolas or structures are subject to Equipotential Bonding Compliance in accordance with Australian and New Zealand Standards (AS/NZS 3000:2018) electrical installations, (Wiring Rules). If this structure or any product attached to it, is within arms reach of any body of water including swimming pool, swim spa or spa, then Equipotential Bonding must be performed by a Licensed Electrical person or company prior to the product being used. This is a mandatory requirement. As the purchaser of this structure, you are responsible for ensuring compliance.

MAINTENANCE INFORMATION

Maintenance

Your Woodgrain or solid colour powder coated finish does not require re-staining, re-coating or resealing. However, to maintain the look of your powder coated aluminum , all surfaces require washing all over. Like any application, a regular wash will keep your investment looking it's best. Washing with a soft brush and mild pH neutral detergent followed by thorough rinsing with fresh water will ensure that substances such as airborne salts, dirt and pollutants detrimental to the long term performance of the powder coated film are removed.

Where the atmosphere is deemed to be non-hazardous such as rural or normal urban environments, cleaning must take place at least every 12 months. In areas subject to high pollution such as industrial areas, geothermal environments or coastal environments then the cleaning frequency should be increased. In particularly hazardous locations such as beach fronts, marine environments or areas of high industrial pollution the period between cleaning should be reduced to monthly.

Wash the surface with a mild solution of ph neutral car wash or detergent in warm water.

Application should be with a sponge, soft cloth or soft bristle nylon brush, and should be gentle to prevent shiny spots.

If cared for in this way, your woodgrain application should give many years of easy maintenance.

MAINTENANCE INFORMATION

Strong and abrasive household cleaners and solvents are harmful to powder coating and must not be used for cleaning purposes under any circumstances. Acidic, alkaline or alcohol-based cleaning products should not be used either. Warm soapy water is recommended. Always rinse thoroughly.



SHADECUBE™

www.theshadesailshop.com.au

0401844741

customquotes@theoutdoorshop.com.au

Shipped Worldwide



SHADECUBE™



Do I need A Building Permit?

BUILDING APPROVAL, DESIGN CERTIFICATION & WIND LOADING

Always contact your local government authority prior to installing your SHADECUBE™ to determine if building or planning approval is required. In some areas, no approval is required if the SHADECUBE™ is open and allows wind to flow freely through the structure. Particular attention is needed if you want to erect your SHADECUBE™ on a boundary or over council services such as water, or sewerage assets. SHADECUBE™ has not been designed for solid roofing. Please obtain advice regarding the placement and use prior to

Installation from a qualified building authority. Some States within Australia may have a maximum size that can be built without building approval. Please check with your local Government office.

SHADECUBE™ has been design certified and wind rated by an independent structural engineering company here in Australia. If you require any further information regarding our certification, please do not hesitate to get in touch with us or your dealer. SHADECUBE™ has been wind rated up to an ultimate speed of 178.2 km/h.

If you require your new SHADECUBE™ to be attached to an existing dwelling, shed or garage,
It is advised to consult with your local government authority.

This is general information only and should not be read as a legal statement.



SHADECUBE™, CUBEJOIN™ & CUBEBEAM™ are registered trademarks in Australia

The SHADECUBE™ connection system is a registered, certified design in Australia.

Designs Illustrations, information and specification may change without notice.

Copywrite 2019-2023 Ubuild Modular Pergolas

Unit 205/206—3/56 Sickle Ave, Hope Island, Qld, 4212 — info@shadecube.com.au — www.shadecube.com.au

www.theshadesailshop.com.au

0401844741

customquotes@theoutdoorshop.com.au

Shipped Worldwide



SHADECUBE™

This page has been left blank so you can add installation notes or idea's as you create your oasis.